

# Cadenza F

## 2000W Halogen Fresnel Spot

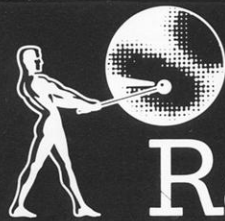
The new 2000 watt Fresnel Spot providing a soft-edged circular beam adjustable from a high-intensity spot focus up to an amazingly wide and highly efficient flood spot in excess of  $60^\circ \frac{1}{2}$  peak value. A four door, rotatable barndoor attachment is available to contain the soft edges of the beam.

The Cadenza Fresnel Spot has fast, internal cable-drive of the lamp and reflector with the rotary toggle knob, with plotting scale for repetition, at the side. The unique internal access, interlocked by the power connector, permits safe lamp replacement without the need to upset the spread setting nor even disturbing the flaps of a barndoor accessory.

The Cadenza series are all purpose-designed 2000W luminaires, not adaptations of lower power units, and set completely new standards of die-cast and aluminium extrusion construction, user-convenience and safety.

### Item Numbers

Cadenza F Fresnel Spot including RSE/79 2000W lamp and 1.5m power cable (state 240 or 220v, and 15A, Schuko or wire-ended cable)	22 522 07
Additional RSE/79 2000W 240v lamp	34 232 06
Additional RSE/79 2000W 220v lamp	34 232 14
Additional Thorn EMI Class CP/43 2000W 240v lamp	34 224 0T
Additional Thorn EMI Class CP/43 2000W 220v lamp	34 224 18
Additional 1.5m power cable, 15A 3-pin plug top	34 002 01
Additional 1.5m power cable, moulded-on Schuko	34 001 06
Additional 1.5m power cable, wire-ended	34 000 00



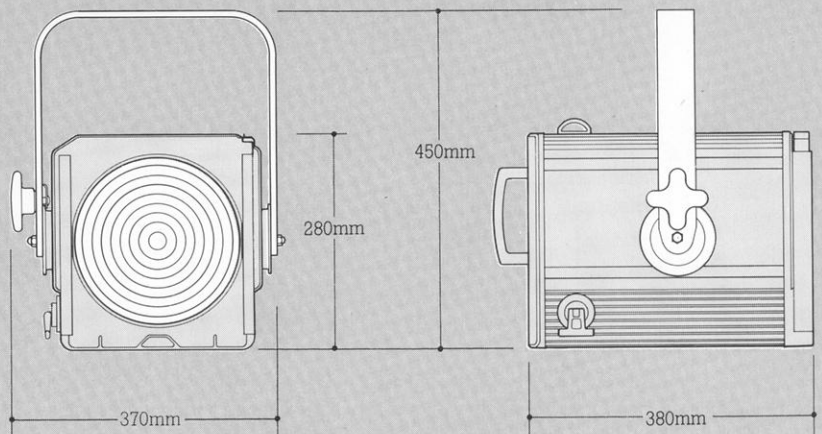
# Rank Strand

22 522 07



### Dimensions

Scale 1:10



### Weight

12.2 kg

### Carton Size

64 × 47 × 46 cm. 0.14m<sup>3</sup>

Packed weight 16kg including lamp and power cable

### Environment

45°C max ambient, interior use

### Tilt

45° above horizontal to 75° below

**Performance**

Typical performance, based upon 2000W 240v  
RSE/79 calibrated lamp, C13D biplane filament,  
400 hour, 3200°K, 52,000 lm

With integral 25mm mesh lens guard

1/2 peak angle 7° spot to 62° flood

1/15 angle 13° spot to 70° flood

390,000 peak candelas at spot, variable to 28,000  
peak candelas at flood

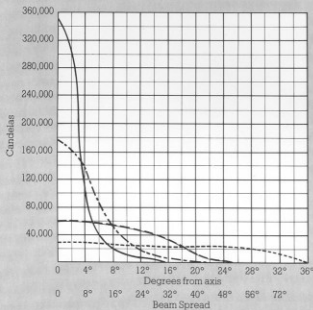
An intermediate:

1/4 peak angle 12°, 175,000 peak candelas

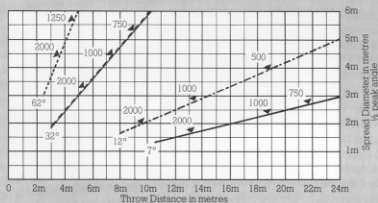
Another intermediate:

1/4 peak angle 32°, 60,000 peak candelas

2000W 240v  
RSE/79 LAMP  
With lens guard



———— Spot  
----- Intermediate  
..... Intermediate  
- . - . Flood



The figures on the diagonal lines indicate the illumination value in lux at beam centre.

The Company reserves the right to make any variation in design and construction to the equipment described.



# Rank Strand Cadenza F

**Specification****Housing**

Extruded, finned, aluminium sides with gravity die cast aluminium ends joined by machine thread screws to combine extreme robustness and rigidity with minimum weight and maximum heat dissipation. For additional heat dissipation lamp house provided with light baffled ventilation slots. Anchorage provided for safety bond and heat insulated grab handle fitted at rear.

**Fork**

Aluminium alloy, reversible with 90mm dia friction discs and heat insulated hand wheel for 1/2 lock; changeable to opposite side. Fork provided with DIN Platte fixing holes, centre-threaded and provided with M.12 bolt, washer and wingnut for compact suspension and swivel lock. Fitted with clip for power cable retention.

**Lampholder**

GY 15 unseal-pin porcelain body with integral heat sink fitted to thumb fastener retained sliding access plate incorporating side to side adjustment for lamp alignment and wired direct to CEE 22 high temperature power connector.

**Power Cable**

1.5m long, 3 x 1.5mm<sup>2</sup> conductor toughened silicon rubber cable moulded to mating CEE 22 angled power socket. Other end of cable moulded to 15A 3-pin or Schuko plugtop, or open wire-ends (specify).

**Internal Access**

Thumb fastener secured, side hinged lampray provides access to slide down, but captive lampholder assembly for convenient lamp replacement and to reflector and lens for cleaning. Lampray is interlocked with power connector to provide maximum safety.

**Lens**

200mm diameter short-focus Fresnel lens of borosilicate glass, recessed mounted with spring clips from within housing.

**Reflector**

150mm diameter spherical reflector of anodised aluminium edge-masked behind support plate.

**Focusing Adjustment**

Lampholder/Reflector carrier slides smoothly on bearing rod and support rod for focusing with fixed lens. Carrier is driven by internal cable and grooved pulley arrangement from external rotary control which provides locking of the focused position through hanging toggle action of its operating handle.

**Colour Runners**

Aluminium extrusions, with spring safety clip, providing double runners. One 246mm square DIN size colour frame with circular aperture for thin-film 'Chromoid' colour filters.

**Finish**

High temperature stoved, black epoxy powder coated.

**Lamps**

2000W GY16 base 70mm l.c.l. with 40mm max. dia. quartz envelope. Supplied with 2000W RSE/79 240v or 220v lamp. Similar, but not identical 2000W Thorn EMI Class CP/43 lamps are also suitable.

**Accessories**

4-Door Rotatable Barndoor	23 210 01
Additional 245mm <sup>2</sup> Colour Frame	27 264 05
Semaphore Colour Change, 24v	23 881 05
TV Spigot, M.12 Stem	26 860 04

Rank Strand Limited  
P.O. Box 51, Great West Road,  
Brentford, Middlesex TW8 9HR,  
United Kingdom  
Telephone 01-568 9222. Telex 27976